

Guardrails and Barriers



Guardrails or barriers must be installed to minimise falls from elevated platforms that measure 500mm or more above ground level (in accordance with AS 4685:2004). For platforms less than 500mm above ground level, *Kidsafe NSW* recommends that barriers are not installed.

The vertical height of barriers should be a minimum of 900mm above the standing surface for schools and public settings and 700mm for supervised early childhood settings. *Kidsafe NSW* recommends wherever possible that early childhood settings increase the height of barriers up to 900mm to discourage climbing by young children.

Ensure guardrail openings:

- Do not present a head and neck entrapment hazard. Any opening 600mm or more above surface level must be smaller than 89mm and larger than 230mm (75mm for vertical timber rails). Refer to Figure 1.
- Are designed to prevent users gaining a foothold which may assist them to climb onto the top rail. Horizontal panels are not recommended and should be replaced with either vertical panels or a solid panel. Refer to Figure 2.
- Where solid infill panels are used, include some transparency to assist with supervision.

Unintended Access

Care must be taken in the design of the equipment so that guardrails and barriers do not allow for access to unintended heights onto any adjacent barriers or equipment structures e.g. onto the roof of the fort.

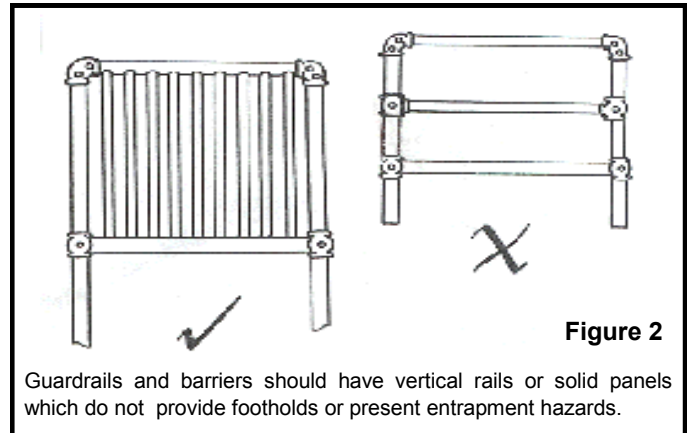


Figure 2

Guardrails and barriers should have vertical rails or solid panels which do not provide footholds or present entrapment hazards.

Handrails

In supervised early childhood settings, handrails should be installed on each side of all access ramps, stairways, step ladders and bridges to assist children's balance. For 0-2 years of age groups, *Kidsafe NSW* recommends that a barrier is used in replacement of handrails for items more than 500mm above ground level.

For all other settings, two handrails should be provided on each side to cater for younger and older age groups using the equipment. The diameter of the handrail should be no less than 16mm or no more than 45mm so as to provide a comfortable grip.

Modifying horizontal panels or mid-rails

Fix 90mm decking boards to inside face of rails: allow 75mm gaps between timber boards (or less than 89mm for metal or plastics).

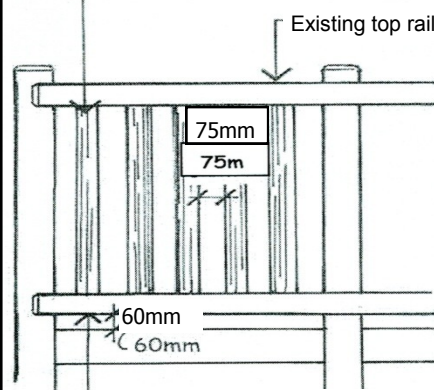


Figure 1

Reposition mid-rail to ensure lowest edge of bottom rail is 60mm above landing